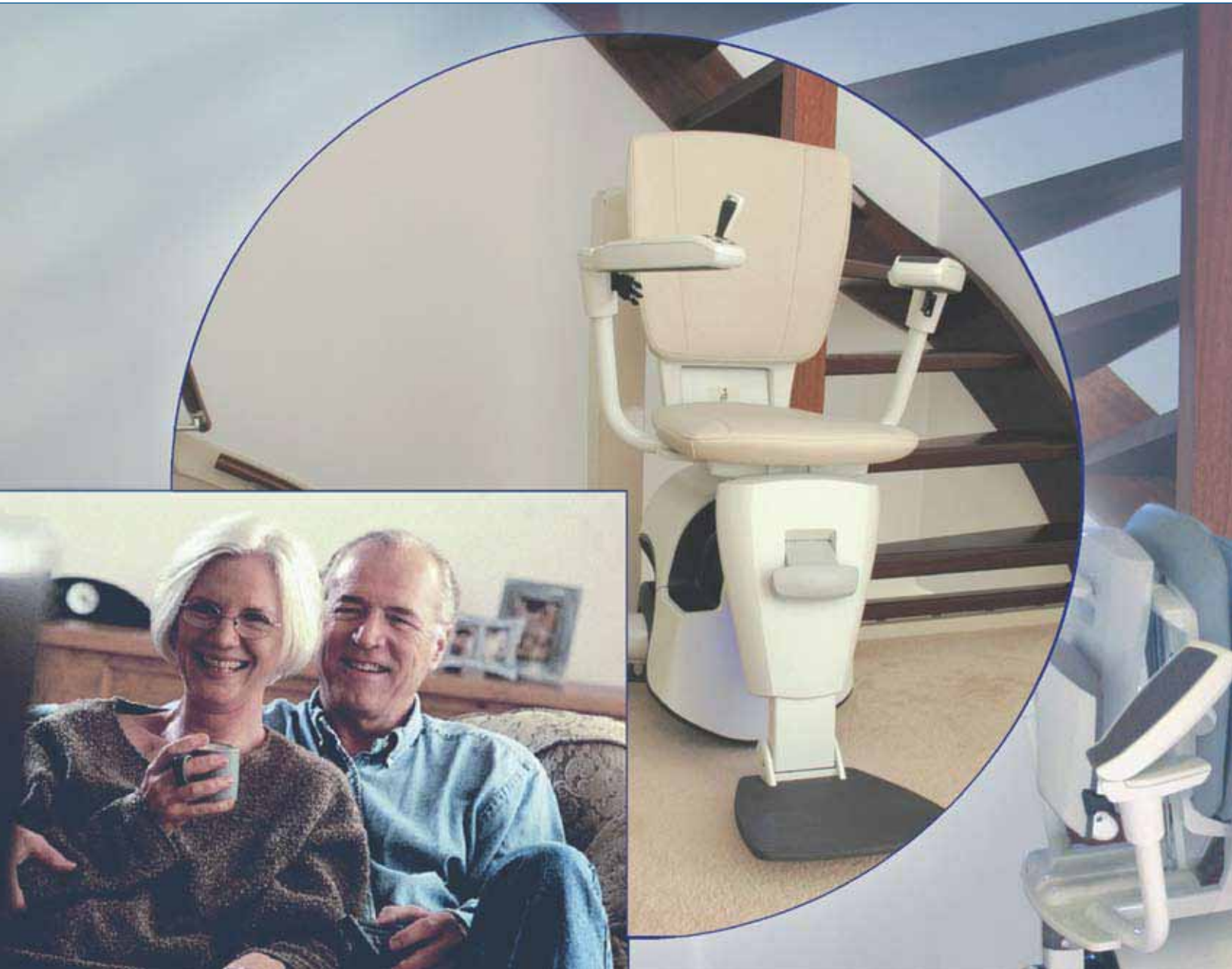


Flow stair lift



ThyssenKrupp Access

Accessibility Division



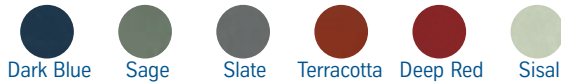
ThyssenKrupp

Flow stair lift

Technical specifications

Lifting capacity:	275 lbs. (125 kg)
Operation:	<ul style="list-style-type: none"> – Wireless control unit, joystick operation (also functions as key), choice of 4 types of joystick – Wireless call and park station with push button. – Every unit contains 2 C-cell batteries, radio frequency: 866 MHz, approved
Drive system:	Battery (24V) , rack and pinion drive system
Rail:	Single tube, constant diameter of 3" (8 cm)
Inclination:	-70° up to +70°
Speed:	max. 29 fpm (0.15 m/s)
Technical conformity:	CE approved, ETL and cETL pending
Standard specification:	Wireless call and park station at top and bottom of the stairs, foldable seat and footrest
Main options:	Automatic swivel chair, installation at the inside or outside of the stairs, parking bend or parking place halfway up the stair for 'out of the way' parking of the stair lift, curved armrests for an extra feeling of security, attendant controls
Warranty:	2 years on drivetrain and component parts

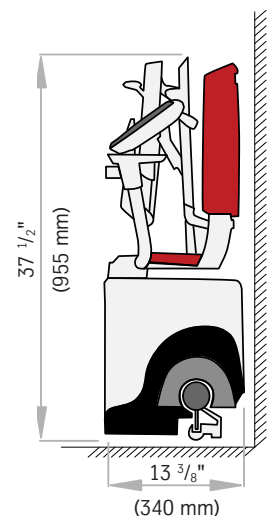
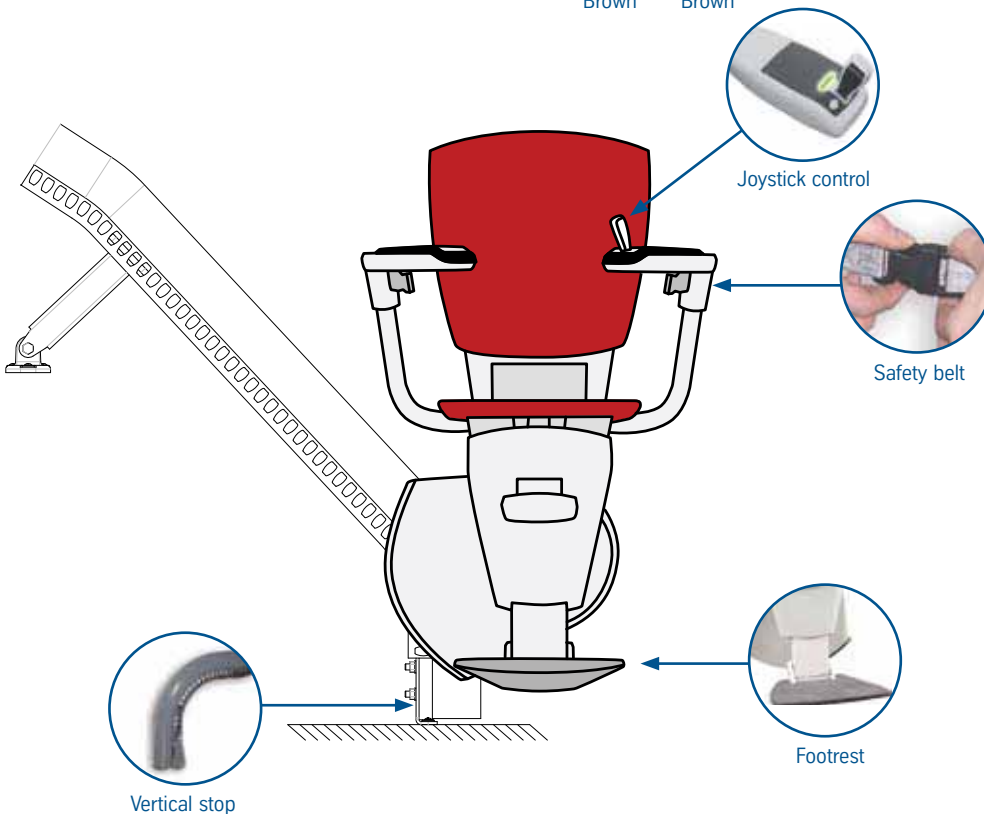
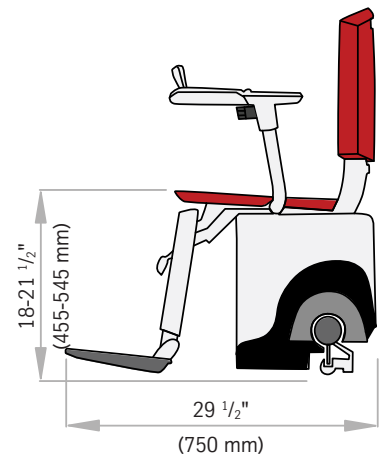
Vinyl upholstery colors:



Fabric upholstery colors:



Rail colors:



* Shown colors are an indication of the real colors and can look slightly different in reality.



Automatic swivel seat



Completely foldable



Parking bend



Joystick in armrest



As the world's largest producer of stair lifts, ThyssenKrupp Access has over 50 years' experience in the field of service and quality. These years of experience have resulted in our new Flow II, the stair lift for discerning and independent people. You can safely travel up and down your stairway, reducing risk of injury and saving your energy for the more pleasurable tasks such as neighborhood walks, playing with the children or the daily chores in your home.

A solution for every stairs

Flow II fits most staircases, straight, around corners or even spiral. When installed on the inside stairway path, your stairs remain accessible for your family and friends. In addition, you can save extra space at the top and bottom of the stairs with a parking bend. The chair is then parked around the corner, out of the way. If a parking curve is not possible on your stairs, a vertical stop could be a solution.

Ease of use

The joystick functions both as a control device and a key. With a light touch of the joystick in the desired

direction, your stair lift will bring you up- or downstairs. To offer a solution for everyone, the armrest control is delivered with three types of joysticks as a standard. The optional ergonomic joystick offers you the lightest control.

If you are not able to operate the stair lift yourself, the attendant control will be of help. With this device an attendant can drive the stair lift up and down the rail while one is seated on the chair.

Luxurious model

Flow can be optionally provided with an automatic swivel during

the ride. This ingenious system, on which we are the sole patent holder, makes it possible to install your rail close to the steps. This way your rail will attract less attention and you will have more space with low underpasses.

In addition, the chair turns automatically at the top and bottom of the stairs, allowing you to get on and off safe and easy.

Stair lift facts, plain and simple.

Gee, I must be ancient if I'm thinking of buying a stair lift. Not true. Our clientele consists of people of all ages, from pre-teens to centenarians. At ThyssenKrupp Access, we firmly believe that age is a state of mind, not merely a measurement on the calendar. One of our clients, Helen, is over 90 and just as sharp and spunky as she was 25 years ago when we first met her. Her stair lift helps Helen with the task of bringing the vegetables she cans up from her cellar. Arthritis is her nemesis; not her stairs, and certainly not her age. Helen's stair lift allows her to use her energy on more exciting endeavors, like her garden.

Will a stair lift work for someone who also uses a wheelchair? Yes, stair lifts can be useful for someone who has limited mobility. Flow II features a footrest that is low to the ground and optional foldable curved armrests allow easy transfer from wheelchair to stair lift. The curved armrests and retractable safety belt provide a secure ride. A choice of four stair lift controls on the chair or the attendant control offer the ultimate in maneuvering options.

My stairs are narrow and steep. Is there a stair lift to cover that? Ah, the Mount Everest of staircases. Not many stair lifts are up to this task, but Flow II can accommodate up to a 70° angle and its innovative auto-swivel seat feature not only allows a tighter rail fit to the staircase, it also automatically turns the seat so that it can maneuver up a staircase that is only marginally wider than the seat.

Are stair lifts easy to care for? Yes. Routine maintenance consists of keeping the unit and rail clean by wiping with a slightly moistened cloth. Battery operated units, such as Flow II require a changeout of the unit batteries roughly every two years.

ThyssenKrupp Access Corp.

4001 East 138th Street
Grandview, MO 64030

Phone: 800.829.9760

Internet: www.tkaccess.com